



BALL CHECK VALVE (VERTICAL TYPE)



ISO 9001

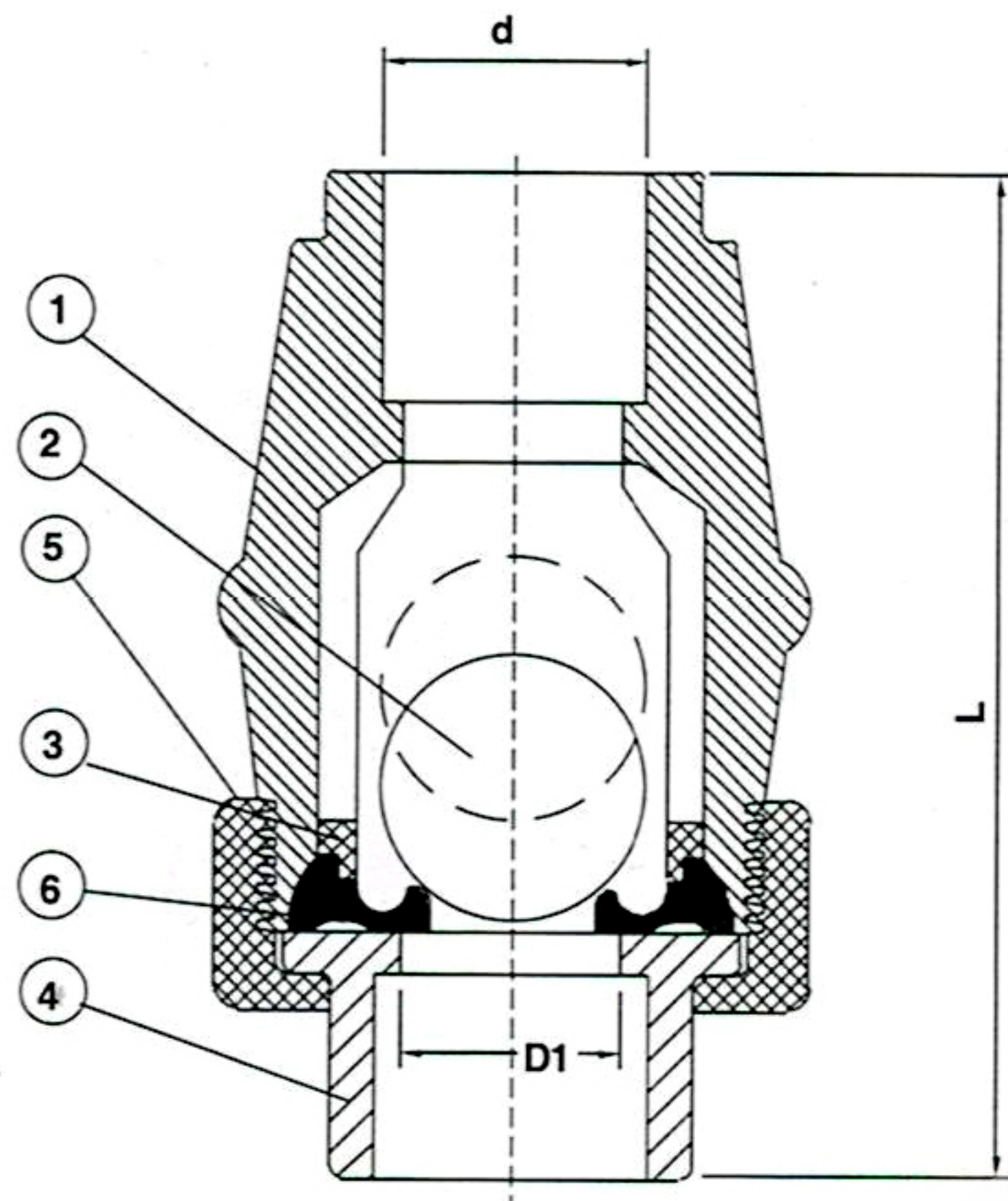


JB Series

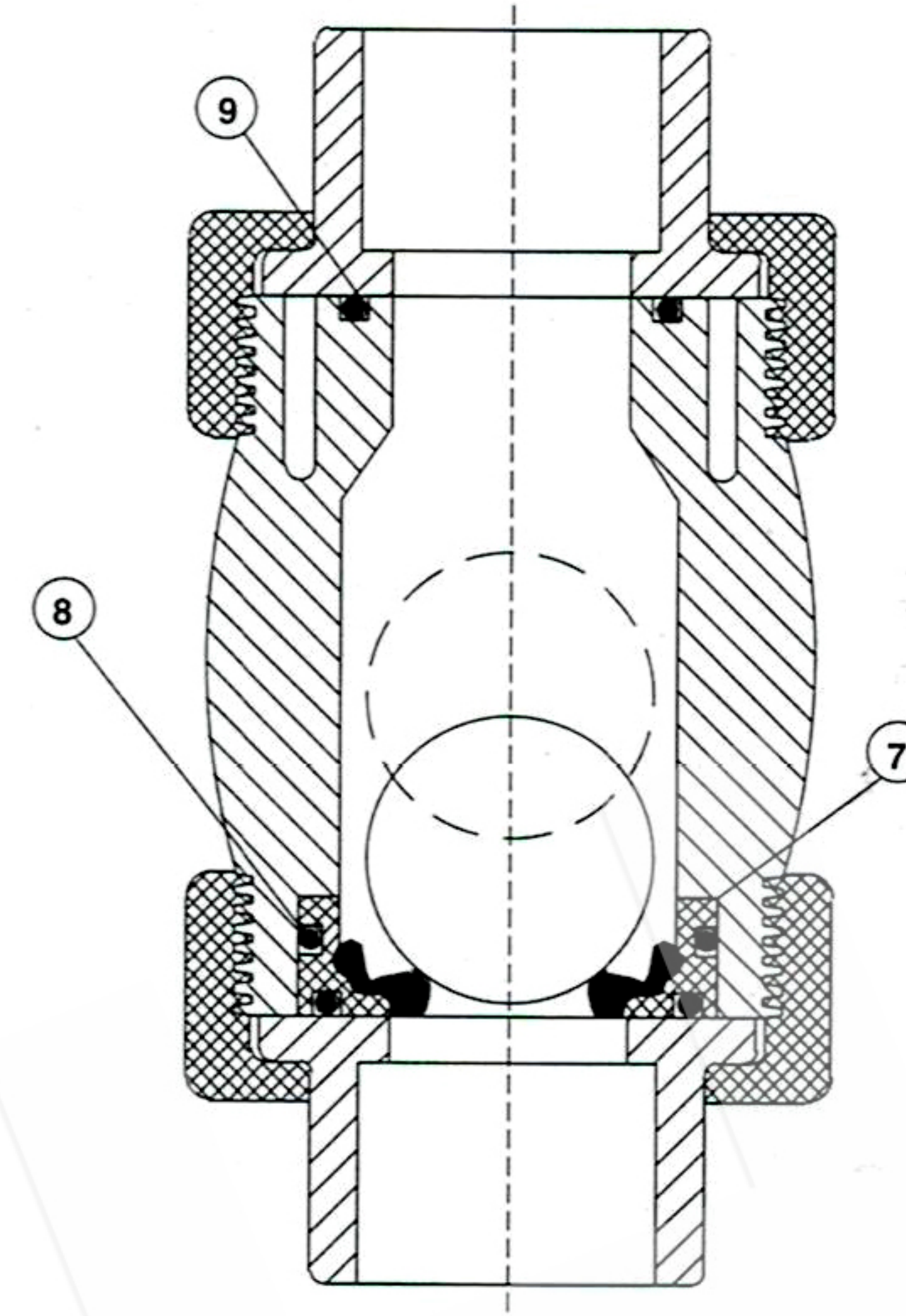
SOCKET JB100 / THREAD JB200
SIZE: 1/2"-10"

MATERIALS OF CONSTRUCTION

No.	Parts	Pcs.	Materials
1	Body	1	UPVC,PP,CPVC,PVDF
2	Ball	1	UPVC,CPVC,PVDF,PPG
3	Washer	1	UPVC,PP,CPVC,PVDF
4	End Connector	1...DN15-50 2...DN65-100	UPVC,PP,CPVC,PVDF
5	Union Nut	1...DN15-50 2...DN65-100	UPVC,PP,CPVC,PVDF
6	Seat	1	EPDM,VITON
7	Seat Carrier	1	UPVC,PP,CPVC,PVDF
8	Seat Carrier O'ring	1	EPDM,VITON
9	Solid End O'ring	1	EPDM,VITON
10	Flanged End	2...DN15-100 1...DN150-250	UPVC,PP,CPVC,PVDF
11	Reinforcement Plate	4...DN150 8...DN250	SUS304(150A-250A)
12	Bolts on Reinforcement Plate	10...DN150 20...DN250	SUS304



15A(1/2'')~50A(2'')



65A(2-1/2'')~100A(4'')

DIMENSIONS TABLE

	JIS											ANSI											DIN										
	Unit:mm											Unit:inch											Unit:mm										
	d		D2		D3	n	øe	L			T	d		D2		D3	n	øe	L			T	d		D2		D3	n	øe	L			T
D1	Screw	Socket					Screw	Socket	Flange		D1	Screw	Socket					Screw	Socket	Flange		D1	Screw	Socket				Screw	Socket	Flange			
15-1/2	15	PT	22	70	95	4	15	98	98	135	15	0.59	NPT	0.84	2.375	3.500	4	0.63	3.85	3.85	5.43	0.59	15	R1/2	20	65	95	4	14	98	98	135	15
20-3/4	20	PT	26	75	100	4	15	119	119	159	16	0.79	NPT	1.05	2.750	3.785	4	0.63	4.68	4.68	6.25	0.59	20	R3/4	25	75	105	4	14	119	119	159	15
25-1	26	PT	32	90	125	4	19	124	124	167	17	0.98	NPT	1.32	3.125	4.250	4	0.63	4.88	4.88	6.57	0.66	26	R1	32	85	115	4	14	124	124	167	17
32-11/4	36	PT	38	100	135	4	19	155	155	198	16	1.42	NPT	1.67	3.500	4.625	4	0.63	6.10	6.10	7.79	0.67	36	R1-1/4	40	100	140	4	18	155	155	198	17
40-11/2	36	PT	48	105	145	4	19	155	155	202	18	1.57	NPT	1.91	3.875	5.000	4	0.63	6.10	6.10	7.89	0.7	36	R1-1/2	50	110	150	4	18	155	155	202	17
50-2	50	PT	60	120	155	4	19	180	180	234	21	1.96	NPT	2.38	4.750	6.000	4	0.75	7.09	7.09	9.09	0.78	40	R2	63	125	165	4	18	180	180	234	20
65-21/2	65	PT	76	140	175	4	19	226	226	276	20	2.36	NPT	2.88	5.500	7.000	4	0.75	8.89	8.89	10.87	0.8	65	R2-1/2	75	145	185	4	18	226	226	276	20
80-3	80	PT	89	150	185	8	19	274	274	330	20.5	3.15	NPT	3.51	6.000	7.500	4	0.75	10.79	10.79	12.99	0.9	80	R3	90	160	200	8	18	274	274	330	20
100-4	100	PT	114	175	210	8	19	367	367	417	20	3.74	NPT	4.51	7.500	9.000	8	0.75	14.45	14.45	16.41	0.92	100	R4	110	180	220	8	18	367	367	417	20
150-6	150	-	-	240	280	8	23	-	-	480	23	-	-	-	9.500	11.000	8	0.88	-	-	18.90	0.87	150	-	-	240	285	8	23	-	-	480	23
250-10	250	-	-	355	400	12	25	-	-	670	25	-	-	-	14.250	16.000	12	1.00	-	-	26.38	0.94	250	-	-	350	395	12	25	-	-	670	25

※ Standard dimensions based on PVC material